

Frontiers of Mathematics & Mathematical Science

Organized by

Calcutta Mathematical Society

6th September, 2010

On the 102nd Founder's day

This day we dedicate to Prof. Mahadev Dutta for his 90th anniversary

Physical Reality of Series Solution of General Differential Equation System

Shantanu Das

Scientist RRPS

Reactor Control Division

BARC . Mumbai-400085.

(shantanu@barc.gov.in)

Prelude:

Here I am at the intellectual capital of India that is Calcutta “City of knowledge”.

I pay homage and respect to all great mathematicians, scientists, academicians and teachers of this Calcutta Mathematical Society, on this 102nd anniversary of this institution of recognition.

I (by profession an Electrical and Electronics Engineer) can state that “Mathematics goes far beyond our physical understanding”.

Mathematics is what nature understands, but which one? We Scientists & Engineers try to find and keep on finding- “that particular mathematics”.

As an engineer my past one and half decade of work is mainly to ascribe physical/engineering/geometrical sense to wonderful three hundred years old topic of fractional calculus-make product and science out of this subject. Why? Because it was for search to make “Fuel Efficient Control System” for Nuclear Reactors!!

Still continuing..... and is unfinished.

Salute to Prof. Mahadev Dutta

On this day of 6th September, 2010 on this forum we pay homage and respect to great mathematician **Prof. Mahadev Dutta**, on his 90th anniversary. Work done by **Prof. Mahadev Dutta** on elliptical function and integral transforms are guiding factors for scientists and engineers and me.

We salute **Prof. Mahadev Dutta**.

Sir we need your blessings.

Motivation:

The physical interpretation of the series solution of the general differential equation system is outcome, to arrive at practical & physical way of solving Fractional Differential Equations FDE, is outlined in the following:

1. International Journal of Applied Mathematics & Statistics. Vol. 17; No. J10, June 2010, “Generalized Dynamic System Solution by Decomposed Physical Reactions”. pp. 44-76.
2. International Journal Modeling and Simulation in Engineering. Volume 2010, “Solution of Extraordinary Differential Equations with Physical Reasoning by Obtaining Modal Reaction Series”, ID739675, pp. 1-19.
3. Mathematico-Physics of Generalized Calculus. Department of Applied Mathematics Calcutta University. (Chapter-11)
4. Functional Fractional Calculus for System Identifications & Controls (2nd Edition probably in 2011-2012). Springer Verlag Germany.

This is due to blessings of **Prof. Michelle Caputo**, founder of Caputo’s RHD derivative and encouragement & blessings from **Prof. Rasajit Bera**, pioneer FDE solutions by ADM

Advantages:

A modern approach to Solve Extra Ordinary Differential Equations

Series reaction of several internal-modes generated to external perturbation.

No Laplace Transformation.

No discretization required.

No perturbation required.

Gives the solution as analytical (approximate)

Close to physical reasoning of principal of action reaction.

Second Order System (un damped) Oscillator to start with for demonstration:

Consider a classical oscillator of integer-second order, mass spring system represented as:

$$m \frac{d^2}{dt^2} x(t) + k x(t) = f(t)$$

With initial conditions and forcing function defined as

$$x(0) = 0$$

$$\dot{x}(0) = 0$$

$$f(t) = \delta(t)$$

We can re-write the equation as:

$$\frac{d^2}{dt^2} x(t) = \ddot{x}(t) = D_t^2 x(t) = \frac{1}{m} f(t) - \frac{k}{m} x(t)$$

continue

$$\dot{x}(t) = \frac{1}{m} f(t) - \frac{k}{m} x(t)$$

This above equation gives insight into physical aspect of the process.

The RHS states the opposing action to a forcing function, which is manifested as motion is given by LHS of above expression.

At the initial time the displacement being zero with the velocity, implies that the displacement at just time $t = 0^+$ is due the forcing function; alone.

This displacement action is without any opposition.

This first displacement call it-zeroth mode as $x_0 = D_t^{-2} \frac{1}{m} f(t)$ due to external force and if initial conditions are present.

Due to nature of this forcing function as an impulse, the displacement (zeroth mode) takes the form as

$$x_0 = \frac{1}{m} D_t^{-2} \delta(t) = \frac{1}{m} t$$

This displacement action would be true, in the absence of any retarding or opposing element say spring or friction. (In case of above it is spring action). In absence of any opposition, the constitutive equation will be, $m\ddot{x}(t) = f(t)$ and for impulse force, the displacement will be linear function of time $x(t) = t/m$, with constant velocity $\dot{x}(t) = 1/m$

continue

The presence of spring makes the equation of motion as:

$$\ddot{x}(t) = \frac{1}{m} f(t) - \frac{k}{m} x(t)$$

the external excitation being opposed by the spring action by opposite spring force and is internally generated

$$f_i = -\frac{k}{m} x_{i-1}$$

$$i \geq 1$$

continue

The primary and the zeroth mode of displacement is due to external force on the mass that is

$$x_0 = \frac{1}{m} D_t^{-2} f(t) = \frac{1}{m} D_t^{-2} \delta(t) = \frac{1}{m} t$$

This zeroth mode of displacement is solely due to external excitation; since the initial conditions are at rest.

This displacement is now opposed by spring.

Due to this opposing element, the displacement caused by external force, the spring generates an opposing force (first mode, from zeroth mode displacement), as:

$$f_1 = - \frac{k}{m} x_0$$

and to this, new (internal force) the displacement would be

$$x_1 = D_t^{-2} f_1 = - \frac{k}{m} D_t^{-2} x_0 = - \frac{k}{m} D_t^{-2} \left(\frac{1}{m} t \right) = - \frac{k}{m^2} \frac{t^3}{3!}$$

continue

this displacement, again generates an internal force; inside the spring as

$$f_2 = -\frac{k}{m} x_1 = +\frac{k^2}{m^3} \frac{t^3}{3!}$$

and (again) to this force the displacement is second order mode.

$$x_2 = D_t^{-2} f_2 = -\frac{k}{m} D_t^{-2} x_1 = -\frac{k}{m} D_t^{-2} \left(-\frac{k}{m} \frac{1}{m} \frac{t^3}{3!} \right) = \frac{k^2}{m^3} \frac{t^5}{5!}$$

and so on.

In the absence of the spring, the opposing (internal) forces will be zero.

We can call this total displacement as sum of all the modal displacements from zero to infinity.

With zero modes being the only reaction to the bare excitation (and if any initial displacement and velocity be present), and all other modes are opposing reactions taking place in the spring, due to internal forces generated inside there.

The modes can be tabulated as in Table-1

continue

Table-1: Decomposing the action reaction of second order mass spring system

| MODE | FORCE | DISPLACEMENT |
|--------------|--|--|
| 0 | $f_0 = \frac{1}{m} f(t) = \frac{1}{m} \delta(t)$ | $x_0 = D_t^{-2} f_0 = \frac{1}{m} t$ |
| Higher Modes | Higher Modal Internal Forces | Higher Modal Internal displacements |
| 1 | $f_1 = -\frac{k}{m} x_0 = -\frac{k}{m^2} t$ | $x_1 = D_t^{-2} f_1 = -\frac{k}{m^2} \frac{t^3}{3!}$ |
| 2 | $f_2 = -\frac{k}{m} x_1 = +\frac{k^2}{m^3} \frac{t^3}{3!}$ | $x_2 = D_t^{-2} f_2 = +\frac{k^2}{m^3} \frac{t^5}{5!}$ |
| 3 | $f_3 = -\frac{k}{m} x_2 = -\frac{k^3}{m^3} \frac{t^5}{5!}$ | $x_3 = D_t^{-2} f_3 = -\frac{k^3}{m^4} \frac{t^7}{7!}$ |
| | | |

continue

Adding up all the (modal displacements- reactions), the solution to is obtained as (infinite) series:

$$x(t) = x_0 + x_1 + x_2 + x_3 + \dots = \frac{1}{m}t - \frac{k}{m^2} \frac{t^3}{3!} + \frac{k^2}{m^3} \frac{t^5}{5!} - \frac{k^3}{m^4} \frac{t^7}{7!} = \frac{1}{m} \left[t - \frac{k}{m} \frac{t^3}{3!} + \frac{k^2}{m^2} \frac{t^5}{5!} - \dots \right]$$

Multiplying the above series by $\sqrt{k/m}$
and dividing by same we get:

$$x(t) = \frac{1}{\sqrt{km}} \left[\sqrt{\frac{k}{m}} t - \left(\frac{k}{m}\right)^{3/2} \frac{t^3}{3!} + \left(\frac{k}{m}\right)^{5/2} \frac{t^5}{5!} - \dots \right] = \frac{1}{\sqrt{km}} \sin \left(\sqrt{\frac{k}{m}} t \right)$$

This is oscillator with natural frequency $\omega = \sqrt{k/m}$ radians per seconds.

This gives exact solution

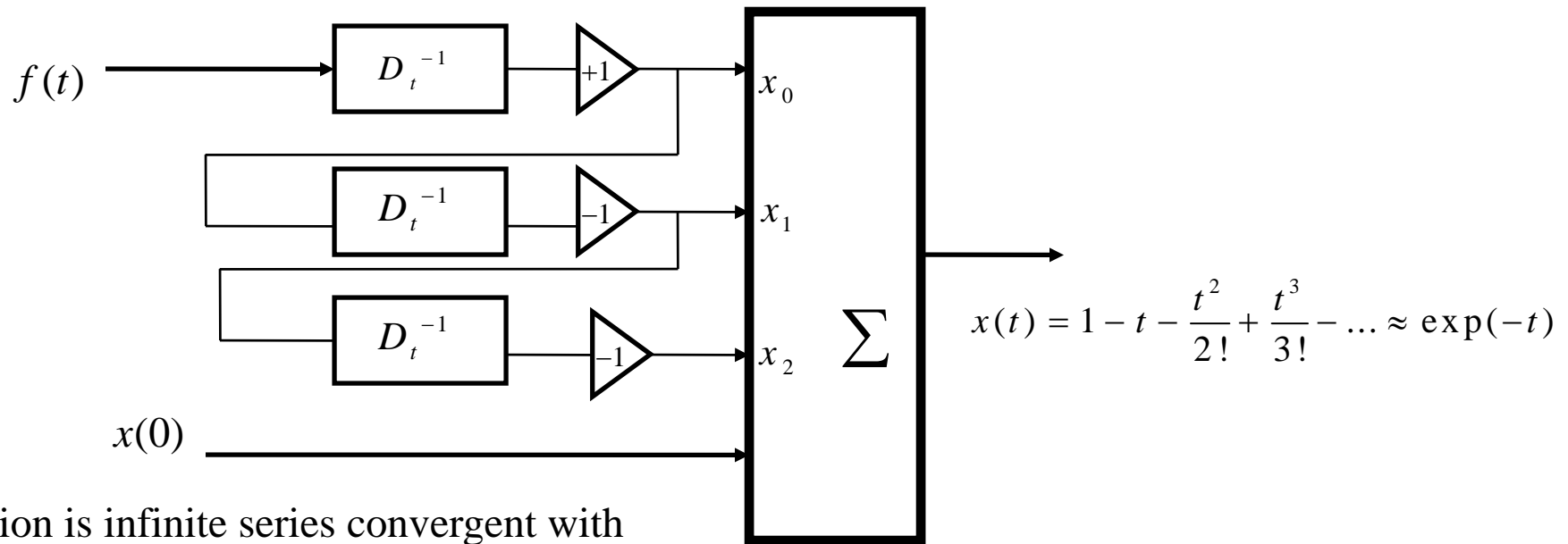
First order system and its example of modal reactions

$$\dot{x}(t) + x(t) = f(t)$$

$$D_t^{-1} D_t^1 x(t) + D_t^{-1} x(t) = D_t^{-1} f(t)$$

$$x(t) - x(0) = D_t^{-1} f(t) - D_t^{-1} D_t^{-1} f(t) + D_t^{-1} D_t^{-1} D_t^{-1} f(t) - \dots$$

$$x(0) = 0, f(t) = \delta(t)$$



Solution is infinite series convergent with integer power terms.

Charging current of capacitor in RC circuit:

$$\frac{1}{C} \int_{0^+}^t i(t) dt + R i(t) = V_{BB} h(t) \quad \text{differentiating} \quad \frac{d}{dt} i(t) + \frac{1}{RC} i(t) = \frac{V_{BB}}{R} \delta(t)$$

$$i(0) = 0$$

At initial time zero, at the switch closer instance, gives impulse excitation-of current, and assuming if the capacitance of the circuit were absent-at this initial instant (capacitance comes into action at retarded time), then the current in the resistance is

$$i(t) = \frac{V_{BB}}{R} \int_0^t \delta(t) dt = \frac{V_{BB}}{R} D_t^{-1} \delta(t) = V_{BB} / R \quad \text{a constant.}$$

Here a point is mentioned that integration of the forcing function comes because the inertial element capacitance is present in the circuit and equation above. If the capacitor is completely absent then the current reaction will be simple

$(V_{BB} / R) \delta(t)$ meaning that the current would have vanished instantaneously with the impulse and the current would be then zero i.e. $i(t) = 0$ at $t \geq 0$ This initial moment current in resistor is V_{BB} / R since initially uncharged capacitor acts as short circuit impedance. The capacitor presence is making the current linger for time greater than zero. The circuit as natural reaction to any force will oppose this flow of current that is the change in current from zero to V_{BB} / R is the capacitor action

Therefore, the first (and the foremost) reaction comes from the resistive element (without lag or lead). That is

$$i_0 = i(0) + D_t^{-1} [V_{BB} \delta(t) / R] = V_{BB} / R$$

in the absence of the capacitive element (initially short-circuited); and this is the first reaction due to external force (and initial current if at all be present in the circuit). This sudden, change in charges (Coulombs) cannot flow into capacitor, as the voltage across it cannot change instantaneously. This constant action of current gives rise to a rate of change of current in the system (per unit time constant) and is i_0 / RC A/s.

The, first reactionary constant current thus is opposed by internal generated current as $i_1 = -D_t^{-1} [i_0 / RC]$

which is in opposition to this first reactionary current initial reaction, therefore negative. This action reaction summed up to give $i(t) = i_0 + i_1$

continue

The internally generated reactionary current gives a rate of change as (i_1 / RC) A/s.

which will generate opposition current to the cause i_1 as $i_2 = -D_t^{-1}[i_1 / RC]$

which again is added to give total reaction as $i(t) = i_0 + i_1 + i_2$ as the total current.

$$i_0 = i(0) + D_t^{-1}[V_{BB} \delta(t) / R]$$

$$i_n = -\frac{1}{RC} D_t^{-1}[i_{n-1}]; n \geq 1$$

$$i_0 = V_{BB} / R$$

$$i_1 = -\frac{1}{RC} D_t^{-1}[V_{BB} / R] = -\frac{V_{BB}}{R} \frac{t}{RC}$$

$$i_2 = -\frac{1}{RC} D_t^{-1}\left[-\frac{V_{BB}}{R} \frac{t}{RC}\right] = \frac{V_{BB}}{R} \frac{1}{2!} \left(\frac{t}{RC}\right)^2$$

$$i_3 = -\frac{1}{RC} D_t^{-1}\left[\frac{V_{BB}}{R} \frac{1}{2!} \left(\frac{t}{RC}\right)^2\right] = -\frac{V_{BB}}{R} \frac{1}{3!} \left(\frac{t}{RC}\right)^3$$

$$i(t) = \frac{V_{BB}}{R} \left(1 - \frac{t}{RC} + \frac{1}{2!} \left(\frac{t}{RC}\right)^2 - \frac{1}{3!} \left(\frac{t}{RC}\right)^3 + \dots\right) = \frac{V_{BB}}{R} e^{-\left(\frac{t}{RC}\right)}$$

Decomposing the series solution for the first order system:

$$u(t) = \frac{V_{BB}}{R} \left(1 - \frac{t}{RC} + \frac{1}{2!} \left(\frac{t}{RC} \right)^2 - \frac{1}{3!} \left(\frac{t}{RC} \right)^3 + \dots \right) = \frac{V_{BB}}{R} e^{-\left(\frac{t}{RC}\right)}$$

$$u_0 = u(0) = \frac{V_{BB}}{R}$$

$$u_1 = u'(0) = -\frac{V_{BB}}{R^2 C}$$

$$u_2 = u''(0) = \frac{V_{BB}}{R^3 C^2}$$

$$u_3 = u'''(0) = -\frac{V_{BB}}{R^4 C^3}$$

.....

$$u(t) = u_0 + u_1 t + u_2 t^2 + u_3 t^3 + \dots + u_n t^n + \dots$$

$$u(\lambda) = \sum_{n=0}^{\infty} \lambda^n u_n$$

$$u_n = \frac{1}{n!} \left[\frac{d^n u(\lambda)}{d \lambda^n} \right]_{\lambda=0}$$

The series solution obtained is Maclurain series around origin

Decomposing the series solution for the second order system:

$$u(t) = \frac{1}{m}t - \frac{k}{m^2} \frac{t^3}{3!} + \frac{k^2}{m^3} \frac{t^5}{5!} - \frac{k^3}{m^4} \frac{t^7}{7!} = \frac{1}{m} \left[t - \frac{k}{m} \frac{t^3}{3!} + \frac{k^2}{m^2} \frac{t^5}{5!} - \dots \right]$$

$$u_0 = u(0) = 0$$

$$u_1 = u'(0) = \frac{1}{m}$$

$$u_2 = u''(0) = 0$$

$$u_3 = u'''(0) = \frac{k}{m^2}$$

.....

$$u(t) = u_0 + u_1 t + u_2 t^2 + u_3 t^3 + \dots u_n t^n + \dots$$

$$u(\lambda) = \sum_{n=0}^{\infty} \lambda^n u_n$$

$$u_n = \frac{1}{n!} \left[\frac{du(\lambda)}{d\lambda^n} \right]_{\lambda=0}$$

The series solution obtained is Maclurain series around origin

Observations:

The series solution obtained as modal reactions individually, gets summed up at the origin to give total solution. The total series solution when decomposed can be treated as Maclurain’s series around origin. The (constant) coefficients of the Maclurain’s series, then jump out of the ‘well’ at the origin and then individually to give individual modal reactions as a power-law $u_n x^n$; these coefficients are the strength of curvature of the total solution at the origin that is $u^{(n)}(0)$. The total solution is then

$$u(x) = \sum_{n=0}^N u_n x^n$$

The N could have finite or infinite terms. Thus the series solution in general may be a truncated series or even infinite series. This truncation could be after one term, or N finite terms, depending on the strength of curvature at the origin. For example a solution $u(t) = u_0 t$ is having one term, and no other term.

The individual modes $u_n x^n$ are in general are polynomial (in our this example is monomial though). Well if in the system of differential equation some terms of function of $u(x)$ exists as $N(u) = N(u(x))$, where $u(x) = \sum_{n=0}^{\infty} u_n x^n$ then $N(u)$ too can be decomposed as Maclurain’s series $N(u) = \sum_{n=0}^{\infty} x^n A_n$ with polynomials A ’s as $A_n = \frac{1}{n!} \left[\frac{d^n}{dx^n} N \left(\sum_{k=0}^{\infty} x^k u_k \right) \right]_{x=0}$

Mathematical Principle of Decomposition (Adomian's Polynomial & ADM)

G. Adomian (1989)

The physical description and then obtaining decomposed solution matches well with the ADM. From the previous example we generalize the system of General Differential Equations and give action-reaction laws to it so that one can obtain the solution by decomposition into infinite (or finite) modes. Let there be general differential equation system as:

$$D_x^m u(x) + a_1 D_x^{m-1} u(x) + a_2 D_x^{m-2} u(x) + \dots + a_m u(x) + b_k [u(x)]^k + b_{k-1} [u(x)]^{k-1} + \dots b_0 u(x) = G(x)$$

We can write this as: $Lu(x) = G(x) - R(u) - N(u)$

$G(x)$ is sum of all external stimulus source/sink.

$L(u) = d^m u(x) / dx^m = D_x^m u(x)$ represents a linear operator representing the highest orders of change in the process parameter, which is easily invertible. This order of change could be one two, or any positive integer or even fractional (say half, one fourth, one and three quarter).

$R(u) = a_1 D_x^{m-1} + a_2 D_x^{m-2} + \dots + a_{m-1} D_x^1$ is the remainder differential operator of order $< m$

$$N(u) = a_m u(x) + b_k [u(x)]^k + b_{k-1} [u(x)]^{k-1} + \dots b_0 u(x)$$

contains nonlinear (as well be the linear) terms.

ADM:

$$Lu(x) = G(x) - R(u) - N(u)$$

$$u = \Phi + L^{-1}G - L^{-1}[R(u)] - L^{-1}[N(u)]$$

Φ of the solution of homogeneous equation $Lu = 0$ so that $L\Phi = 0$

For a damped oscillator as follows:

$$m \frac{d^2 x}{dt^2} + c \frac{dx}{dt} + kx = f(t) \quad \text{Then } L = D_t^2, R = D_t^1, N(x) = x.$$

$$x(t) = \Phi + \frac{1}{m} L^{-1} f - \frac{c}{m} L^{-1} R - \frac{k}{m} L^{-1} N$$

$$\Phi = u(0) + t \dot{u}(0)$$

$$L^{-1} f(t) \equiv D_t^{-2} f(t) = \int_0^t \int_0^t f(t) dt dt$$

For decomposition of the $N(u)$ part, define a “grouping” parameter close to one as λ

$$\text{Then function is } u(\lambda) = \sum_{n=0}^{\infty} \lambda^n u_n = u_0 + \lambda u_1 + \lambda^2 u_2 + \dots$$

ADM:

$$u(\lambda) = \sum_{n=0}^{\infty} \lambda^n u_n = u_0 + \lambda u_1 + \lambda^2 u_2 + \dots$$

This is Maclurain series with respect to λ with u_n 's as coefficients of the Maclurain series around $\lambda = 0$

that is $u_n = \frac{u^{(n)}(0)}{n!}$ Then $N(u)$ in Maclurain, series with respect to λ we obtain

$$N(u) = \sum_{n=0}^{\infty} \lambda^n A_n \quad A_n = \frac{1}{n!} \left[\frac{d^n}{d\lambda^n} N \left(\sum_{k=0}^{\infty} \lambda^k u_k \right) \right]_{\lambda=0}$$

$$u_0 = \Phi + L^{-1}G$$

$$u_1 = -L^{-1} [R(u_0)] - L^{-1}(A_0)$$

$$u_2 = -L^{-1} [R(u_1)] - L^{-1}(A_1)$$

.....

$$u_n = -L^{-1} [R(u_{n-1})] - L^{-1}(A_{n-1}), n \geq 1$$

$$\phi_N(t) = \sum_{n=0}^N u_n(t)$$

For obtaining Adomian's Polynomials

$$N(u) = \sum_{n=0}^{\infty} \lambda^n A_n \quad u(\lambda) = \sum_{n=0}^{\infty} \lambda^n u_n = u_0 + \lambda u_1 + \lambda^2 u_2 + \dots$$

$$N(u_0 + \lambda u_1 + \lambda^2 u_2 + \dots) = A_0 + \lambda A_1 + \lambda^2 A_2 + \lambda^3 A_3 + \dots$$

Put $\lambda = 0$, to get $N(u_0) = A_0$

Differentiate once, with respect to λ we get: $\frac{d}{d\lambda}[N(u_0 + \lambda u_1 + \lambda^2 u_2 + \dots)] = \frac{d}{d\lambda}(A_0 + \lambda A_1 + \lambda^2 A_2 + \dots)$

$$\frac{\partial N(u_0 + \lambda u_1 + \lambda^2 u_2 + \dots)}{\partial(u_0 + \lambda u_1 + \lambda^2 u_2 + \dots)} \frac{\partial}{\partial \lambda}(u_0 + \lambda u_1 + \lambda^2 u_2 + \dots) = A_1 + 2\lambda A_2 + 3\lambda^2 A_3 + \dots$$

Differentiating once, more with respect to λ Put $\lambda = 0$ in above to get: $A_1 = u_1 \frac{dN(u_0)}{du_0} = u_1 N'(u_0)$

$$\frac{d}{d\lambda} \left[\frac{\partial N(u_0 + \lambda u_1 + \dots)}{\partial(u_0 + \lambda u_1 + \dots)} \frac{\partial}{\partial \lambda}(u_0 + \lambda u_1 + \dots) \right] = \frac{d}{d\lambda}(A_1 + 2\lambda A_2 + 3\lambda^2 A_3 + \dots)$$

$$\frac{\partial}{\partial \lambda}(u_0 + \lambda u_1 + \dots) \frac{d}{d\lambda} \left[\frac{\partial N(u_0 + \lambda u_1 + \dots)}{\partial(u_0 + \lambda u_1 + \dots)} \right] + \frac{\partial N(u_0 + \lambda u_1 + \dots)}{\partial(u_0 + \lambda u_1 + \dots)} \frac{d}{d\lambda} \frac{\partial}{\partial \lambda}(u_0 + \lambda u_1 + \dots) = 2A_2 + 3! \lambda A_3 + \dots$$

$$(u_1 + 2\lambda u_2 + \dots) \frac{\partial^2 N(u_0 + \lambda u_1 + \dots)}{\partial(u_0 + \lambda u_1 + \dots)^2} \frac{\partial}{\partial \lambda}(u_0 + \lambda u_1 + \dots) + \frac{\partial N(u_0 + \lambda u_1 + \dots)}{\partial(u_0 + \lambda u_1 + \dots)} (2u_2 + 3\lambda u_3 + \dots) = 2A_2 + \dots$$

Putting $\lambda=0$ in above expression, we obtain:

$$u_1^2 \frac{\partial^2 N(u_0)}{\partial u_0^2} + 2u_2 \frac{\partial N(u_0)}{\partial u_0} = 2A_2, \text{ implying } A_2 = u_2 \frac{dN(u_0)}{du_0} + \frac{u_1^2}{2} \frac{d^2 N(u_0)}{du_0^2} = u_2 N'(u_0) + \frac{1}{2} u_1^2 N''(u_0)$$

The Adomian's Polynomials

$$A_0 = A_0(u_0) = N(u(\lambda))_{\lambda=0} = N(u_0 + \lambda u_1 + \lambda^2 u_2 + \dots)_{\lambda=0} = N(u_0)$$

$$A_1 = A_1(u_0, u_1) = \left(\frac{\partial N}{\partial u} \right) \left(\frac{\partial u}{\partial \lambda} \right)_{\lambda=0}$$

$$A_2 = A_2(u_0, u_1, u_2) = \frac{1}{2} \left[\left(\frac{\partial^2 N}{\partial u^2} \right) \left(\frac{\partial u}{\partial \lambda} \right)^2 + \left(\frac{\partial N}{\partial u} \right) \left(\frac{\partial^2 u}{\partial \lambda^2} \right) \right]_{\lambda=0}$$

$$A_3 = A_3(u_0, u_1, u_2, u_3) = \frac{1}{6} \left[\left(\frac{\partial^3 N}{\partial u^3} \right) \left(\frac{\partial u}{\partial \lambda} \right)^3 + 3 \left(\frac{\partial^2 N}{\partial u^2} \right) \left(\frac{\partial u}{\partial \lambda} \right) \left(\frac{\partial^2 u}{\partial \lambda^2} \right) + \left(\frac{\partial N}{\partial u} \right) \left(\frac{\partial^3 u}{\partial \lambda^3} \right) \right]_{\lambda=0}$$

$$A_0 = N(u_0)$$

$$A_1 = u_1 \left(\frac{d}{du_0} \right) N(u_0) = u_1 N'(u_0)$$

$$A_2 = u_2 \left(\frac{d}{du_0} \right) N(u_0) + \frac{u_1^2}{2!} \left(\frac{d^2}{du_0^2} \right) N(u_0) = u_2 N'(u_0) + \frac{1}{2!} u_1^2 N''(u_0)$$

$$A_3 = u_3 \left(\frac{d}{du_0} \right) N(u_0) + u_1 u_2 \left(\frac{d^2}{du_0^2} \right) N(u_0) + \frac{u_1^3}{3!} \left(\frac{d^3}{du_0^3} \right) N(u_0) = u_3 N'(u_0) + u_1 u_2 N''(u_0) + \frac{u_1^3}{3!} N'''(u_0)$$

Adomian's Polynomials for Linear or Non-linear parts of System

$$N_1(x) = x^2 = \sum_{n=0}^{\infty} \lambda^n A_n \quad \text{Square non-linearity}$$

$$A_0 = x_0^2$$

$$A_1 = 2 x_0 x_1$$

$$A_2 = x_1^2 + 2 x_0 x_2$$

$$A_3 = 2 x_0 x_3 + 2 x_0 x_2 \dots\dots$$

$$N_2(y) = x^3 = \sum_{n=0}^{\infty} \lambda^n A_n \quad \text{Cubic non-linearity}$$

$$A_0 = x_0^3$$

$$A_1 = 3 x_0^2 x_1$$

$$A_2 = 3 x_0^2 x_2 + 3 x_1^2 x_0$$

$$A_3 = 3 x_0^2 x_3 + 6 x_0 x_1 x_2 + x_1^3 \dots\dots\dots$$

$$N_0(x) = x = \sum_{n=0}^{\infty} \lambda^n A_n \quad \text{Linear function} \quad A_0 = x_0 \quad \text{and} \quad A_n = x_n$$

$$N(x) = K \quad \text{Constant function} \quad A_0 = N_0(x_0) = K$$

$$A_1 = A_2 = \dots\dots\dots = A_{\infty} = 0$$

ADM and internal modal reactions (comparison)

$$Lu(x) = G(x) - R(u) - N(u)$$

$$u(\lambda) = u_0 + \lambda u_1 + \lambda^2 u_2 + \lambda^3 u_3 + \dots$$

$$u_0 = \Phi + L^{-1}G$$

$$N[u(\lambda)] = N(u_0 + \lambda u_1 + \lambda^2 u_2 + \dots)$$

$$= A_0 + \lambda A_1 + \lambda^2 A_2 + \lambda^3 A_3 + \dots$$

$$A_0 = N(u_0)$$

$$u_1 = -L^{-1}R(u_0) - L^{-1}(A_1)$$

$$A_1 = u_1 N'(u_0)$$

$$u_2 = -L^{-1}R(u_1) - L^{-1}(A_2)$$

$$A_2 = u_2 N'(u_0) + \frac{1}{2} u_1^2 N''(u_0)$$

$$u_3 = -L^{-1}R(u_2) - L^{-1}(A_3)$$

$$A_{n-1} = \frac{1}{(n-1)!} \left[\frac{d^{n-1} N \left(\sum_{k=0}^{\infty} \lambda^k u_k \right)}{d \lambda^{n-1}} \right]_{\lambda=0}$$

$$u_n = -L^{-1}R(u_{n-1}) - L^{-1}(A_n)$$

$$u(x) = \sum_{n=0}^{\infty} u_n$$

$$m D_t^2 x(t) + k x(t) = f(t)$$

$$L^{-1} = D_t^{-2} \quad G = \frac{1}{m} f(t) = \frac{1}{m} \delta(t) \quad R(x) = 0 \quad N(x) = \frac{k}{m} x$$

$$\Phi = \mathbf{x}(0) + t \dot{\mathbf{x}}(0) = 0 \quad A_0 = \frac{k}{m} x_0 \quad A_n = \frac{k}{m} x_n$$

$$x_0 = \Phi + L^{-1}G = D_t^{-2} \frac{1}{m} \delta(t) = \frac{1}{m} t$$

$$A_0 = \frac{k}{m} x_0 = \frac{k}{m^2} t$$

$$x_1 = -L^{-1}R(x) - L^{-1}(A_0) = -D_t^{-2} \left[\frac{k}{m^2} \right] = -\frac{k}{m^2} \frac{t^3}{3!}$$

$$A_1 = \frac{k}{m} x_1 = -\frac{k^2}{m^3} \frac{t^3}{3!}$$

$$x_2 = -L^{-1}R(x) - L^{-1}(A_1) = -D_t^{-2} (-t^3 / 3!) = \frac{k^2}{m^3} \frac{t^5}{5!}$$

$$x(t) = x_0 + x_1 + x_2 + x_3 + \dots = \frac{1}{m} t - \frac{k}{m^2} \frac{t^3}{3!} + \frac{k^2}{m^3} \frac{t^5}{5!} - \frac{k^3}{m^4} \frac{t^7}{7!} + \dots + \dots$$

$$x(t) = \frac{1}{m} \left[t - \frac{k}{m} \frac{t^3}{3!} + \frac{k^2}{m^2} \frac{t^5}{5!} - \dots \right] = \frac{1}{\sqrt{km}} \sin \left(\sqrt{\frac{k}{m}} t \right)$$

The above is exactly what was described in previous discussion with physical principles of action reaction generating all internal modes.

General Collision & Cohesion dynamics a NL system:

Two bodies collide the position variable is indentation w.r.t. time and force is non-linear

Hertz force

$$\frac{m_1 m_2}{2(m_1 + m_2)} \frac{d^2 x}{dt^2} + K(n+1)x^n = 0 \quad x(0) = 0 \quad D_t^1 [x(t)]_{t=0} = \dot{x}(0) = u$$

$$\frac{d^2 x}{dt^2} = -ax^{3/2} \quad n=3/2 \quad a = \frac{5(m_1 + m_2)K}{m_1 m_2}$$

$$G = 0 \quad R = 0 \quad L^{-1} = D_t^{-2} \quad N(x) = ax^{3/2}$$

$$\Phi = x(0) + t\dot{x}(0) = ut$$

$$x_0 = \Phi + L^{-1}G = ut$$

$$A_0 = N(x_0) = ax_0^{3/2} = au^{3/2}t^{3/2}$$

$$x_1 = -L^{-1}R(x_0) - L^{-1}(A_0) = -D_t^{-2} \left[au^{3/2}t^{3/2} \right] = -\frac{4}{35} au^{3/2}t^{7/2}$$

$$A_1 = x_1 N'(x_0) = \frac{3}{2} ax_0^{1/2} x_1 = -\frac{12}{70} a^2 u^2 t^4$$

$$x_2 = -L^{-1}R(x_1) - L^{-1}(A_1) = -D_t^{-2} \left[-\frac{12}{70} a^2 u^2 t^4 \right] = \frac{12}{210} a^2 u^2 t^6$$

$$x(t) = ut - \frac{4 au^{3/2}}{35} t^{7/2} + \frac{12 a^2 u^2}{210} t^6 + \dots$$

A special case from generalization:

Force is independent of indentation (constant):

$$\frac{m_1 m_2}{2(m_1 + m_2)} \frac{d^2 x}{dt^2} + K = 0$$

$$n = 0 \quad \frac{d^2 x}{dt^2} = -a \quad a = \frac{2(m_1 + m_2)K}{m_1 m_2}$$

$$N(x_0) = a = A_0 \quad N'(x) = 0$$

$$A_1 = 0 = A_2 = \dots = A_\infty$$

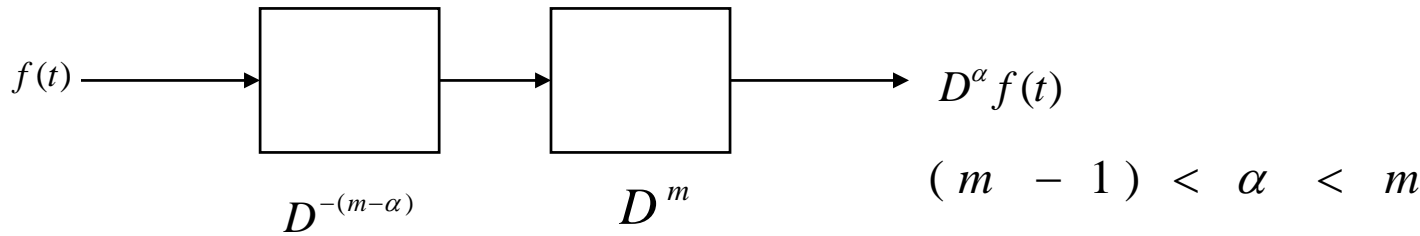
$$x_0 = \Phi + L^{-1}G = ut$$

$$x_1 = -L^{-1}A_0 = -D_t^{-2}(a) = -\frac{1}{2}at^2$$

$$x_2 = x_3 = \dots = x_\infty = 0$$

$$x(t) = ut - \frac{1}{2}at^2 \quad \text{Simple equation of motion!}$$

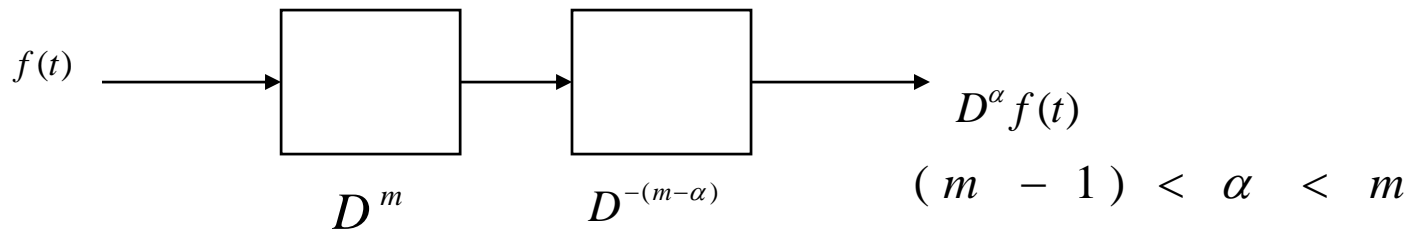
The fractional derivative & FDE



Fractional differentiation Left Hand Definition LHD Riemann-Liouville (RL)

$$D_t^\alpha f(t) = \frac{d^m}{dt^m} \left[\frac{1}{\Gamma(m-\alpha)} \int_0^t \frac{f(\tau)}{(t-\tau)^{\alpha+1-m}} d\tau \right]$$

Required are fractional initial states for $D_t^\alpha f(t) = 0$ as $D_t^{\alpha-1} f(0), D_t^{\alpha-2} f(0), \dots$



Fractional differentiation Block diagram representation of RHD Caputo

$${}^c D^\alpha f(t) = \frac{1}{\Gamma(m-\alpha)} \int_0^t \frac{d^m f(\tau)}{dt^m (t-\tau)^{\alpha+1-m}} d\tau = \frac{1}{\Gamma(m-\alpha)} \int_0^t \frac{f^{(m)}(\tau)}{(t-\tau)^{\alpha+1-m}} d\tau$$

Required are integer order initial states for $D_t^\alpha f(t) = 0$ as $D_t^{m-1} f(0), D_t^{m-2} f(0), \dots; f(0)$

Generalization of Fundamental Theorem & RL-Caputo derivative's relation:

For a function f differentiable in (a, b) by fundamental theorem of calculus we express as:

$$f(x) = \left(\int_a^x f'(u) du \right) + f(a) = {}_a I_x^1 f'(x) + f(a)$$

On the both sides carrying out operation ${}_a I_x^{1-\alpha}$ where $0 < \alpha < 1$

and making use of commutation of fractional integration i.e. $I^{1-\alpha}$ commuting with I^1 and using Euler's rule:

$$D^n x^m = \frac{\Gamma(m+1) x^{m-n}}{\Gamma(m-n+1)}$$

we write the above expression as:

$${}_a I_x^{1-\alpha} f(x) = {}_a I_x^1 {}_a I_x^{1-\alpha} f'(x) + \frac{(x-a)^{1-\alpha}}{\Gamma(2-\alpha)} f(a)$$

Differentiate above by one integer order, and applying Riemann-Liouville (RL) definition of fractional differentiation on LHS of above we obtain:

$${}_a D_x^\alpha f(x) = \frac{d}{dx} {}_a I_x^{1-\alpha} f(x) = {}_a I_x^{1-\alpha} f'(x) + f(a) \frac{(x-a)^{-\alpha}}{\Gamma(1-\alpha)} = {}_a I_x^{1-\alpha} \frac{d}{dx} f(x) + f(a) \frac{(x-a)^{-\alpha}}{\Gamma(1-\alpha)}$$

This shows that ${}_a I_x^{1-\alpha}$ and ${}_a D_x^1 \equiv d/dx$ do not commute, except when initial condition is zero.

They are related by initial condition.

The above expression also shows the relation between Riemann-Liouville and Caputo derivatives (for $0 < \alpha < 1$)

$$[{}_a D_x^\alpha f(x)]_{RL} = \frac{d}{dx} {}_a I_x^{1-\alpha} f(x) = {}_a I_x^{1-\alpha} f'(x) + f(a) \frac{(x-a)^{-\alpha}}{\Gamma(1-\alpha)} = {}^C [{}_a D_x^\alpha] + f(a) \frac{(x-a)^{-\alpha}}{\Gamma(1-\alpha)}$$

$${}^C \left[\frac{d^\alpha}{dt^\alpha} f(t) \right] + \frac{t^{-\alpha}}{\Gamma(1-\alpha)} f(0) + \frac{t^{1-\alpha}}{\Gamma(2-\alpha)} \dot{f}(0) = \left[\frac{d^\alpha}{dt^\alpha} f(t) \right]_{RL} \quad 1 < \alpha < 2; m = 2$$

Example oscillator with fractional loss (damping) component, with modal reactions:

$$\ddot{x}(t) + D_t^{1/2} x(t) + x(t) = f(t)$$

$$x(t) = x(0) + t\dot{x}(0) + D_t^{-2} f(t) - D_t^{-2} x(t) - D_t^{-3/2} x(t)$$

$$x(0) = 0, \dot{x}(0) = 0, f(t) = \delta(t)$$

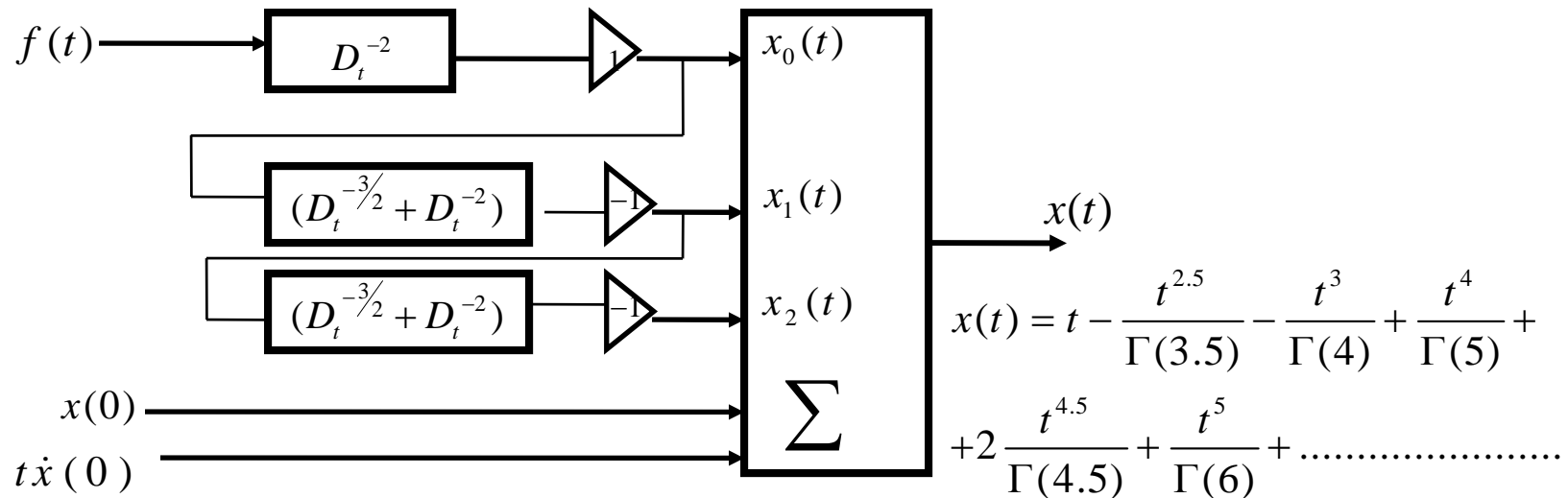
$$D^n x^m = \frac{\Gamma(m+1) x^{m-n}}{\Gamma(m-n+1)}$$

Euler's generalization

$$x_0(t) = D_t^{-2} \delta(t) = t$$

$$x_1(t) = -(D_t^{-3/2} + D_t^{-2})(t) = -\left(\frac{t^{5/2}}{\Gamma(7/2)} + \frac{t^3}{\Gamma(4)}\right)$$

$$x_2(t) = (D_t^{-3/2} + D_t^{-2})\left(\frac{t^{5/2}}{\Gamma(7/2)} + \frac{t^3}{\Gamma(4)}\right) = \frac{t^4}{\Gamma(5)} + 2\frac{t^{9/2}}{\Gamma(11/2)} + \frac{t^5}{\Gamma(6)}$$



Solution is infinite series convergent with integer & fractional power terms

ADM and internal modal reactions

(comparison)

Oscillator with fractional damping with Dirac's delta function as input forcing

$$\ddot{x}(t) + D_t^{1/2} x(t) + x(t) = f(t)$$

$$x(0) = 0, \dot{x}(0) = 0, f(t) = \delta(t)$$

$$L = D_t^2 \quad R = D_t^{1/2} \quad N(x) = x$$

$$G = \delta(t)$$

$$x_0 = \Phi + L^{-1}G = D_t^{-2} \delta(t) = t$$

$$A_0 = x_0 = t$$

$$x_1 = -L^{-1}R(x_0) - L^{-1}A_0 = -(D_t^{-3/2} + D_t^{-2})x_0 = -\left(\frac{t^{5/2}}{\Gamma(7/2)} + \frac{t^3}{\Gamma(4)}\right)$$

$$A_1 = x_1 = -\left(\frac{t^{5/2}}{\Gamma(7/2)} + \frac{t^3}{\Gamma(4)}\right)$$

$$x_2 = -L^{-1}R(x_1) - L^{-1}A_1 = -(D_t^{-3/2} + D_t^{-2})x_1 = \left(\frac{t^4}{\Gamma(5)} + 2\frac{t^{9/2}}{\Gamma(11/2)} + \frac{t^5}{\Gamma(6)}\right)$$

| MODE | FORCE | DISPLACEMENT |
|--------------|---|--|
| 0 | $\delta(t)$ | t |
| Higher Modes | Higher modal internal force | Higher modal internal displacement |
| 1 | $-t$ | $-\frac{t^{5/2}}{\Gamma(3.5)} - \frac{t^3}{\Gamma(4)}$ |
| 2 | $\frac{t^{5/2}}{\Gamma(3.5)} + \frac{t^3}{\Gamma(4)}$ | $\frac{t^4}{\Gamma(5)} + 2\frac{t^{9/2}}{\Gamma(5.5)} + \frac{t^5}{\Gamma(6)}$ |
| 3 | $-\frac{t^4}{\Gamma(5)} - 2\frac{t^{9/2}}{\Gamma(5.5)} - \frac{t^5}{\Gamma(6)}$ | $-\frac{t^{11/2}}{\Gamma(6.5)} - \frac{t^6}{\Gamma(7)} - \frac{t^{13/2}}{\Gamma(7.5)} - \frac{t^7}{\Gamma(8)}$ |
| | | |

Table-2 Modal force and displacements for second order system with fractional order damping
Same reactions we obtained earlier by action reaction decomposition

Example oscillator with fractional loss (damping) component, Heaviside's step function as input:

$$D_t^2 x(t) + \frac{c}{m} D_t^{1/2} x(t) + \frac{k}{m} x(t) = \frac{1}{m} f(t) \quad L[x(t)] = -\frac{c}{m} R[x(t)] + \frac{k}{m} N[x(t)] + \frac{1}{m} f(t)$$

$$x(0) = 0 \quad D_t^1 [x(t)]_{t=0} = \dot{x}(0) = 0 \quad f(t) = Fh(t) \quad L = D_t^2 \quad R = D_t^{1/2} \quad N(x) = x \quad G = \frac{Fh(t)}{m}$$

By application of ADM we obtain

Euler's relation

$$D_x^\alpha x^\beta = \frac{\Gamma(\beta + 1)}{\Gamma(\beta - \alpha + 1)} x^{\beta - \alpha}$$

$$x_0(t) = \frac{1}{m} D_t^{-2} f(t) = \frac{Ft^2}{2m}$$

$$x_1(t) = -\frac{c}{m} D_t^{-3/2} x_0(t) - \frac{k}{m} D_t^{-2} x_0(t) = -\frac{cF}{m^2} \frac{t^{7/2}}{\Gamma\left(\frac{9}{2}\right)} - \frac{kF}{m^2} \frac{t^4}{\Gamma(5)}$$

$$x_2(t) = -\frac{c}{m} D_t^{-3/2} x_1(t) - \frac{k}{m} D_t^{-2} x_1(t) = \frac{c^2 F}{m^3} \frac{t^5}{\Gamma(6)} + \frac{2kcF}{m^3} \frac{t^{11/2}}{\Gamma\left(\frac{13}{2}\right)} + \frac{k^2 F}{m^3} \frac{t^6}{\Gamma(7)}$$

$$x_3(t) = -\frac{c}{m} D_t^{-3/2} x_2(t) - \frac{k}{m} D_t^{-2} x_2(t)$$

$$x_3(t) = -\frac{c^3 F}{m^4} \frac{t^{13/2}}{\Gamma\left(\frac{15}{2}\right)} - \frac{3kc^2 F}{m^4} \frac{t^7}{\Gamma(8)} - \frac{3k^2 cF}{m^4} \frac{t^{15/2}}{\Gamma\left(\frac{17}{2}\right)} - \frac{k^3 F}{m^4} \frac{t^8}{\Gamma(9)}$$

$$x(t) = x_0(t) + x_1(t) + x_2(t) + x_3(t) + \dots + \dots$$

$$x(t) = \frac{F}{m} \sum_{r=0}^{\infty} \frac{(-1)^r}{r!} \left(\frac{k}{m}\right)^r t^{2(r+1)} \sum_{j=0}^{\infty} \left(\frac{-c}{m}\right)^j \frac{(j+r)! t^{3j/2}}{j! \Gamma\left(\frac{3j}{2} + 2r + 3\right)}$$

$$x(t) = \frac{F}{m} \sum_{r=0}^{\infty} \frac{(-1)^r}{r!} \left(\frac{k}{m}\right)^r t^{2(r+1)} E_{\frac{3}{2}, \frac{r}{2} + 3}^{(r)} \left(\frac{-c}{m} t^{3/2}\right)$$

Application of Decomposition Method in RL formulated Partial Fractional Differential Equation

Linear Diffusion -Wave equation and solution to impulse forcing function:

$$\left[\frac{\partial^\alpha}{\partial t^\alpha} u(x, t) \right]_{RL} = \frac{\partial^2}{\partial x^2} u(x, t)$$

$$G = 0$$

This problem example elaborates that the time evolution of process parameter takes place without the forcing function present only the effect is due to initial value (in this case is Dirac's delta function as process parameter present at space-origin).

$$1 < \alpha < 2 \quad u(x, 0^+) = \delta(x) \quad u_t(x, 0^+) = 0$$

The fractional time rate of change of the process variable is related to spatial double derivative of the same as expressed . In the formulation of fractional derivative is of Riemann-Liouveli (RL) scheme. For RL scheme requirement is fractional initial states!!

Converting the above into Caputo derivative formulation, we obtain:

$${}^C \left[\frac{\partial^\alpha}{\partial t^\alpha} u(x, t) \right] + \frac{t^{-\alpha}}{\Gamma(1-\alpha)} u(x, 0) + \frac{t^{1-\alpha}}{\Gamma(2-\alpha)} \dot{u}(x, 0) = \frac{\partial^2}{\partial x^2} u(x, t)$$

Observation here states that the RL derivative of fractional order when changed to Caputo formulation gives rise to extra source/sink terms of the inverse power function of the independent variables in the constituent equation. In above after applying the definition of Caputo derivative in the fractional operator we get:

$$m = 2$$

$$D_t^{-(2-\alpha)} \left[\frac{\partial^2}{\partial x^2} u(x, t) \right] = \frac{\partial^2}{\partial x^2} u(x, t) - \frac{t^{-\alpha}}{\Gamma(1-\alpha)} u(x, 0) - \frac{t^{1-\alpha}}{\Gamma(2-\alpha)} \dot{u}(x, 0)$$

continue

$$D_t^{-(2-\alpha)} \left[\frac{\partial^2}{\partial t^2} u(x, t) \right] = \frac{\partial^2}{\partial x^2} u(x, t) - \frac{t^{-\alpha}}{\Gamma(1-\alpha)} u(x, 0) - \frac{t^{1-\alpha}}{\Gamma(2-\alpha)} \dot{u}(x, 0)$$

Inverting the above, we get:

$$\left[\frac{\partial^2}{\partial t^2} u(x, t) \right] = D_t^{(2-\alpha)} \left[\frac{\partial^2}{\partial x^2} u(x, t) \right] - \frac{u(x, 0)}{\Gamma(1-\alpha)} D_t^{(2-\alpha)} [t^{-\alpha}] - \frac{\dot{u}(x, 0)}{\Gamma(2-\alpha)} D_t^{(2-\alpha)} [t^{1-\alpha}]$$

Applying fractional derivative of the power function by Euler's expression

$$\left[\frac{\partial^2}{\partial t^2} u(x, t) \right] = D_t^{(2-\alpha)} \left[\frac{\partial^2}{\partial x^2} u(x, t) \right] - \frac{u(x, 0)}{\Gamma(1-\alpha)} \left[\frac{\Gamma(-\alpha+1)t^{-\alpha-2+\alpha}}{\Gamma(-\alpha+1-2+\alpha)} \right] - \frac{\dot{u}(x, 0)}{\Gamma(2-\alpha)} \left[\frac{\Gamma(1-\alpha+1)t^{1-\alpha-2+\alpha}}{\Gamma(1-\alpha+1-2+\alpha)} \right]$$

Simplifying above we obtain:

$$\left[\frac{\partial^2}{\partial t^2} u(x, t) \right] = D_t^{(2-\alpha)} \left[\frac{\partial^2}{\partial x^2} u(x, t) \right] - u(x, 0) \left[\frac{t^{-2\alpha}}{\Gamma(-1)} \right] - \dot{u}(x, 0) \left[\frac{t^{-1}}{\Gamma(0)} \right]$$

The last two terms of above gives zero; since reciprocal Gamma function is zero at values zero and negative integer points giving the modified diffusion equation as:

$$\left[\frac{\partial^2}{\partial t^2} u(x, t) \right] = D_t^{(2-\alpha)} \left[\frac{\partial^2}{\partial x^2} u(x, t) \right]$$

continue

$$\left[\frac{\partial^2}{\partial t^2} u(x, t) \right] = D_t^{(2-\alpha)} \left[\frac{\partial^2}{\partial x^2} u(x, t) \right]$$

Taking the (space) Fourier Transform of we get the following with transformed initial conditions as:

$$\frac{\partial^2}{\partial t^2} \bar{u}(k, t) = -k^2 D_t^{(2-\alpha)} \bar{u}(k, t) \quad \bar{u}(k, 0) = \frac{1}{\sqrt{2\pi}} \quad \bar{u}_t(k, 0) = 0 \quad k \in \mathfrak{R}$$

and write with ADM the solution as:

$$\bar{u}(k, t) = \frac{1}{\sqrt{2\pi}} \int_{-\infty}^{+\infty} e^{ikx} u(x, t) dx$$

$$\bar{u}(k, t) = \Phi + L^{-1}G - L^{-1}R(u) - L^{-1}N(u)$$

$$\bar{u}(k, t) = \Phi + L^{-1}[D_t^{2-\alpha} \bar{u}(k, t)]$$

$$\bar{u}(k, t) = \bar{u}(k, 0) + t\bar{u}_t(k, 0) - k^2 D_t^{-2} [D_t^{2-\alpha} \bar{u}(k, t)] = \bar{u}(k, 0) - k^2 D_t^{-2} [D_t^{2-\alpha} \bar{u}(k, t)]$$

Here the $L^{-1} = D_t^{-2}$ $G = R = 0$ $N(u) = \bar{u}(k, t)$ Is linear

Therefore $\bar{u}_0 = \Phi = \bar{u}_0(k, 0)$

and for $n \geq 1$ $\bar{u}_n = -L^{-1} D_t^{2-\alpha} \bar{u}_{n-1}$

we get $\bar{u}(k, t) = \sum_{n=0}^{\infty} \bar{u}_n(k, t)$

continue

$$\bar{u}_0 = \frac{1}{\sqrt{2\pi}}$$

$$A_0 = \bar{u}_0$$

$$\bar{u}_1 = -L^{-1} D_t^{2-\alpha} [A_0] - k^2 D_t^{-2} [D_t^{2-\alpha} \bar{u}_0] = -\frac{k^2}{\sqrt{2\pi}} \left(\frac{t^\alpha}{\Gamma(\alpha + 1)} \right)$$

$$A_1 = \bar{u}_1$$

$$\bar{u}_2 = -k^2 D_t^{-2} [D_t^{2-\alpha} \bar{u}_1] = \frac{k^4}{\sqrt{2\pi}} \left(\frac{t^{2\alpha}}{\Gamma(2\alpha + 1)} \right)$$

$$A_2 = \bar{u}_2$$

$$\bar{u}_3 = -k^2 D_t^{-2} [D_t^{2-\alpha} \bar{u}_2] = -\frac{k^6}{\sqrt{2\pi}} \left(\frac{t^{3\alpha}}{\Gamma(3\alpha + 1)} \right)$$

.....

$$\bar{u}(k, t) = \frac{1}{\sqrt{2\pi}} \left[1 - \frac{k^2 t^\alpha}{\Gamma(\alpha + 1)} + \frac{k^4 t^{2\alpha}}{\Gamma(2\alpha + 1)} - \frac{k^6 t^{3\alpha}}{\Gamma(3\alpha + 1)} + \dots \right]$$

$$\bar{u}(k, t) = \frac{1}{\sqrt{2\pi}} \sum_{n=0}^{\infty} \frac{(k^2)^n t^{n\alpha}}{\Gamma(n\alpha + 1)} = \frac{1}{\sqrt{2\pi}} E_\alpha(-k^2 t^\alpha)$$

Taking the Inverse Fourier Transform of , we get solution to with impulse excitation as:

$$u(x, t) = \frac{1}{2} t^{-\alpha/2} M_{\alpha/2}(|x|/t^{\alpha/2})$$

$M_{\alpha/2}$ special case of Wright function

Fractional Nonlinear Differential equation

$$\frac{d^\alpha y}{dt^\alpha} = (1-y)^4 \quad 0 < \alpha < 1 \quad y(0^+) = 0 \quad L^{-1} = D_t^{-1} \quad \Phi = C = 0 \quad N(y) = (1-y)^4 = \sum_{n=0}^{\infty} \lambda^n A_n$$

$$y(t) = \sum_{n=0}^{\infty} y_n = \Phi + L^{-1} D_t^{1-\alpha} \sum_{n=0}^{\infty} A_n = D_t^{-1} \left[D^{1-\alpha} \sum_{k=0}^{\infty} A_n \right]$$

$$y_0 = 0 \quad A_0 = (1-y_0)^4 = 1$$

$$y_1(t) = D_t^{-1} D_t^{1-\alpha} [A_0] = D_t^{-1} D_t^{1-\alpha} (1) = \frac{t^\alpha}{\Gamma(\alpha + 1)}$$

$$A_1 = y_1 N'(y_0)$$

$$N'(y_0) = \frac{d}{dy_0} (1-y_0)^4 = -4(1-y_0)^3 = -4$$

$$A_1 = y_1(-4) = -\frac{4t^\alpha}{\Gamma(\alpha + 1)}$$

$$y_2(t) = D_t^{-1} D_t^{1-\alpha} [A_1] = D_t^{-1} D_t^{1-\alpha} \left[\frac{-4t^\alpha}{\Gamma(\alpha + 1)} \right] = \frac{-4t^{2\alpha}}{\Gamma(2\alpha + 1)}$$

$$A_2 = y_2 N'(y_0) + \frac{y_1}{2!} N''(y_0)$$

$$N''(y_0) = \frac{d^2}{dy_0^2} (1-y_0)^4 = 12(1-y_0)^2 = 12$$

$$N'(y_0) = -4$$

$$A_2 = \left(\frac{-4t^{2\alpha}}{\Gamma(2\alpha + 1)} \right) (-4) + \frac{12}{2} \left(\frac{t^\alpha}{\Gamma(\alpha + 1)} \right)^2 = \frac{6\Gamma(2\alpha + 1) - 16[\Gamma(\alpha + 1)]^2}{\Gamma(2\alpha + 1)[\Gamma(\alpha + 1)]^2} t^{2\alpha}$$

$$y_3(t) = D_t^{-1} D_t^{1-\alpha} [A_2] = \frac{6\Gamma(2\alpha + 1) - 16[\Gamma(\alpha + 1)]^2}{\Gamma(3\alpha + 1)[\Gamma(\alpha + 1)]^2} t^{3\alpha}$$

$$y(t) = \frac{1}{\Gamma(\alpha + 1)} t^\alpha - \frac{4}{\Gamma(2\alpha + 1)} t^{2\alpha} + \frac{6\Gamma(2\alpha + 1) - 16[\Gamma(\alpha + 1)]^2}{\Gamma(3\alpha + 1)[\Gamma(\alpha + 1)]^2} t^{3\alpha} + \dots$$

Thoughts & Observation

A general law of nature (balance equation) $Lu(x) = G(x) - R(u) - N(u)$

First reacts to external force giving the zeroth mode of reaction: $u_0 = \Phi + L^{-1}G$

Then it manifests as “internal” excitation to which higher modes keeps on generating giving modal reactions as series by the “same physical law”

$$u_n = -L^{-1} [R(u_{n-1})] - L^{-1}(A_{n-1}), n \geq 1$$

Well then if a physical system may thwart the external stimulus, then internal modes gets generated and the summation of all these internal modes we observe as total reaction.

All the higher modes are self similar and fractal type- what is the scale? Seems to act together at the “origin”.

Can we isolate one single mode?

Is it the way all action-reaction processes work?

Well is this an universal fact of natural reaction?

Fractional Order Controller

A great gift from mathematicians got translated into a product (circuits) for Fractional Order Controls-for “Efficient Control System with Robustness”. Here the Fractional Differential Equations are working in electronics circuit. This device is not existing anywhere in world This was demonstrated on 30 July 2010, and was formally inaugurated for industrialization Under Patent.



$$u(t) = K_p e(t) + K_I \{ {}_0 D_t^{-\alpha} e(t) \} + K_D \{ {}_0 D_t^{\beta} e(t) \}$$
$$e(t) = r(t) - c(t) \quad \alpha ; \beta \in (0, 1)$$
$$PI^{\alpha} D^{\beta}$$

Conclusion

The Decomposition Method of Mathematics of Linear and Functional Analysis, as demonstrated is generalization of the physical law of nature, that is the process reacts in opposite way to thwart any changes in the process variable. The Decomposition Method as explained for physical systems gives insight into micro-scale reactions, to the external or internal stimulus-as to oppose the changes; thereby generating infinite (or finite) modes of reactions, the sum of which gives the total system behavior. Fractional Differential Equation (FDE) by RL method it is found that there is no need to worry about the fractional initial states; instead one can use integer order initial states (the conventional ones) to arrive at solution of FDE. This way one gets insight to Physics of General Differential Equation Systems-and its solution-by Physical Principle and equivalent mathematical decomposition method. This facilitates ease in modeling to get approximate analytic behavior of General Dynamic System-involving Extra Ordinary Differential Equations.

References:

1. Agarwal.O.P., 2002, "Solution for a Fractional Diffusion-Wave Equation Defined in a Bounded Domain", *Nonlinear Dynamics*, 29, pp.145-155.
2. Metzler,R and Klafter J, 2000, "The Random Walk's Guide to Anomalous Diffusion:A fractional Dynamics Approach," *Physics Report*, 339, pp 1-77.
3. Schneider W.R and Wyss W 1989, "Fractional Diffusion and Wave Equations" *Math. Phys.* 30, pp.134-144.
4. Adomian G 1989, "Nonlinear Stochastic System theory and Application to Physics". Kluwer Academic Publishers, Netherlands.
5. Adomian G 1994, "Solving Frontier Problems of Physics: The decomposition method", Kluwer Academic, Boston.
6. Adomian G 1991, "An Analytical Solution of Stochastic Navier-Stokes Systems", *Foundations of Physics*, 21 (7), pp 831-843.
7. Adomian G and Rach R 1991, "Linear and Nonlinear Schrodinger Equations", *Foundations of Physics*, 21, pp 983-991.
8. Adomian G 1994, "Solution of Physical Problems by Decomposition", *Computers Math. Appl.*, 27 (9/10), pp 145-154.
9. Adomian G 1998, "Solutions of Nonlinear P.D.E", *Appl. Math Lett*, 11 (3), pp 121-123.
10. Abbaoui K and Cherruault Y 1999, "The Decomposition Methods Applied to the Cauchy Problems", *Kybernetes*, 28 pp 103-108.
11. Kaya D and Yokus A 2002 , "A Numerical Comparison of Partial Solutions in the Decomposition Method for Linear and Nonlinear Partial Differential Equations", *Math. Comp. Simul.* 60 (6) pp 507-512.
12. Wazwaz A 1999, "A reliable Modification of Adomian Decomposition Method", *Appl. Math. Comp* 102 (1) pp 77-86.
13. Kaya D and El-Sayeed S M 2003, "On a Generalized Fifth Order KdV Equations", *Phys. Lett. A*, 310 (1) pp 44-51.
14. Kaya D and El-Sayeed S M 2003, "An Application of the decomposition method for the Generalized KdV and RLW Equations", *Chaos, Solitons and Fractals*, 17 (5), pp 869-877.
15. Kaya D 2003, "An Explicit and Numerical Solutions of Some Fifth Order KdV Equation by Decomposition Method", *Applied Math Comp.* 144 (2-3), pp 353-363.
16. Kaya D 2004, "An Numerical Simulation of Solitary-Wave Solution of the Generalized Regularized Long-Wave Equations", *Appl. Math. Comp.* 149 (3) pp 833-841.
17. George A J and Chakrabarti, A 1995, "The Adomian Method Applied to Some Extra Ordinary Differential Equations", *Appl Math Lett* 8 (3) pp 91-97.
18. Arora H.L and Abdelwahid F.I. 1993, "Solution of Non-Linear Order Differential Equations via Adomian Decomposition Method", *Appl Math Lett.* 6(1) pp 21-23.
19. Shawagfeh N T 1999, "The Decomposition Method for Fractional Differential Equations", *J. Frac. Calc* 16 pp 27-33.
20. Saha Ray S and Bera R K 2004, "Solution of an Extraordinary Differential Equation by Adomian Decomposition Method", *J. of Appl Math.* 4 pp331-338.
21. Saha Ray S and Bera R K 2005, "Analytical Solution of a Dynamic System Containing Fractional Derivative of order $\frac{1}{2}$ by Adomian Decomposition Method", *Tran. ASME J. of Appl. Mech.* 72 (2) pp 290-295.
22. Saha Ray S and Bera R K 2005, "An Approximate Solution of a Non-linear Fractional Differential Equation by Adomian Decomposition Method", *Appl Math. Comp.* 167 (1) pp 561-571.
23. Saha Ray S and Bera R K 2005, "Analytical Solution of Bagley Torvik Equation by Adomian Decomposition Method", *Appl Mathematics and Computation* 168 (1) pp 398-410.
24. Podlubny I 1999, "Fractional Differential Equations", Academic Press San Diego, California USA.
25. Oldham K B and Spanier J 1974, "The Fractional Calculus" Academic Press New York and London.
26. Miller K.S and Ross B 1993, "An Introduction to Fractional Calculus and Fractional Differential Equations", John Wiley & Co. New York.
27. Das S, 2007, "Functional Fractional Calculus for System Identifications and Controls", Springer-Verlag Berlin.
28. Cherruault Y 1989, "Convergence of Adomian's Method", *Kybernetes* 18 pp 31-38.
29. Abbaoui K and Cherruault Y 1994, "Convergence of Adomian Method Applied to Differential Equations", *Computers Maths Applic.* 28 (5) pp 103-109.
30. Abbaoui K and Cherruault Y 1995," New Ideas for Proving Convergence of Decomposition Methods", *Computers Math. Applic.* 29 pp 103-108.
31. Diethelm K 1997," An Algorithm for Numerical Solutions of Differential Equations of Fractional Order", *Elec. Transact. Numer Anal.* 5 pp 1-6.
32. Diethelm K, Ford N.J. and Freed A.D, 2002 , "A predictor-Corrector Approach for the Numerical Solution of Fractional Differential Equations," *Nonlinear Dyn.* 29 pp 3-22.
33. Bagley R L and Torvik P J 1985," Fractional Calculus in the transient Analysis of Viscoelastically Damped Structures". *AIAA J* 23(6) pp 918-925.
34. Lankarani H M and Nikravesh P E, 1990, " A contact Force Model With Hysterisis Damping for Impact Analysis of Multibody System," *J. of Mech. Design* 112 pp 369-376.

Thanking you